

Easy Max.GS Series

Aiming at a ultimate gravure inspection system

Realization in the 20th year after delivery of the first unit of gravure printing inspection system.

Reinforcement of detection capability

■ Detectability

The detectability of the flaws of the similar color as the design has been improved by converting luminance.

Applied the best suited color conversion method, faint streak and unevenness are detectable.

■ RGB Digital

By RGB Full Digital process, vivid flaw image is displayed.

■ Position Correction & Region of Interest

Position Correction to correct the meandering the material, stable inspection is assured.

■ Cyclical Judgement & Density Judgement

To prevent sending defected products, defects occurred in repeat or specific area with dense can be detected at early stage.

■ LED lamp as standard

By adopting LED lamp, no replacement of light for a decade is realized.

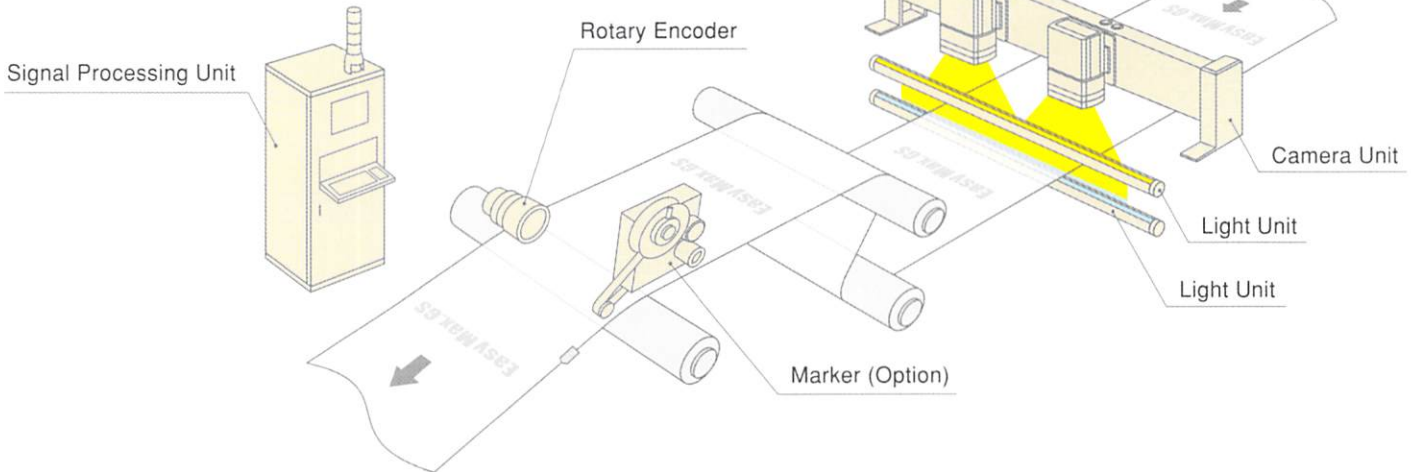




Easy Max.GS series

RGB DIGITAL PRINTED WEB INSPECTION SYSTEM

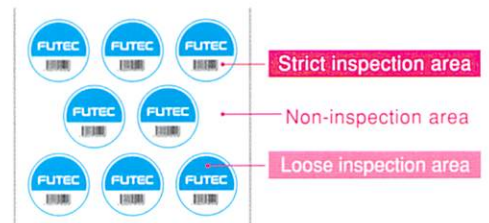
System configuration



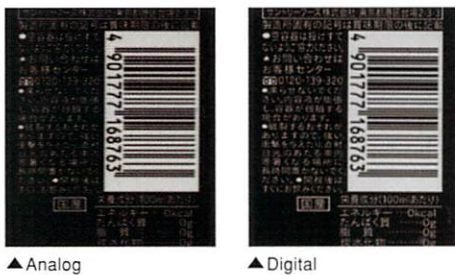
Achieving Stable Inspection

- **Position correction function**
"Position correction" to reduce influence of the meandering of the product line realizes stable inspection.
- **Repeatability judgement**
Continuous defects are judged as "Repeating defect". This function leads to the early detection of the product line.
- **Density judgement**
If multiple points of defects occur, this group of defects is judged as "Density defect".
- **Reinforcement of multi-action function**

Specification of area sensitivity

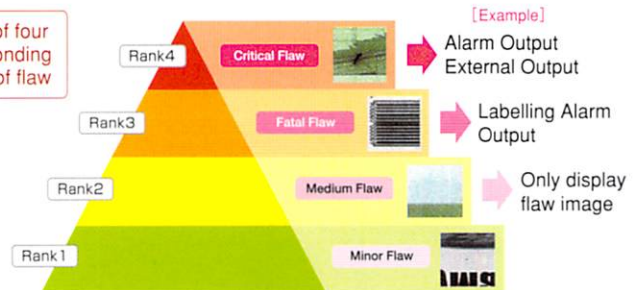


Comparison between Analog and Digital



Multi-Scramble

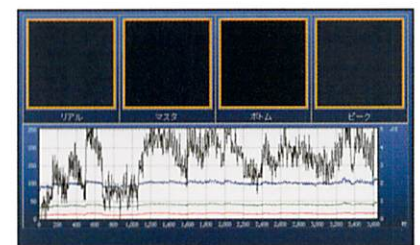
Rank function of four stages corresponding to importance of flaw



Example of Operational Screens

"Useful" new features

- Web monitoring function
- Colour density (colour difference) monitor
- Initial Inspection
- Improvement of defect image and information
- Daily maintenance support



FUTEC

URL: <http://www.futec.co.jp> Ver. 1109

■ Head Office and Factory	1217 Hayashi-cho, Takamatsu, Kagawa 761-0301, JAPAN TEL: +81-87-868-9991 (Overseas div.) FAX: +81-87-865-7250
■ FUTEC Europe S.r.l.	Via Gerolamo da Cardano, 18 21013 Gallarate (VA) ITALY TEL: +39-0331-792456 FAX: +39-0331-247407
■ FUTEC China Inc.	Room 2106, Singular mansion No. 322 Xianxia Rd, Shanghai 200336 CHINA TEL: +86-21-5257-4298 FAX: +86-21-5257-4299
■ FUTEC America Inc.	105 Commerce Drive, Suite E, Fayetteville, GA 30214 USA TEL: +1-770-461-0548 FAX: +1-770-461-0558
■ FUTEC Southeast Asia Sdn Bhd.	A-33-09, Menara UOA Bangsar, No.5, Jalan Bangsar Utama 1, 59000 KL MALAYSIA TEL: +60-3-2284-5530 FAX: +60-3-2284-5535